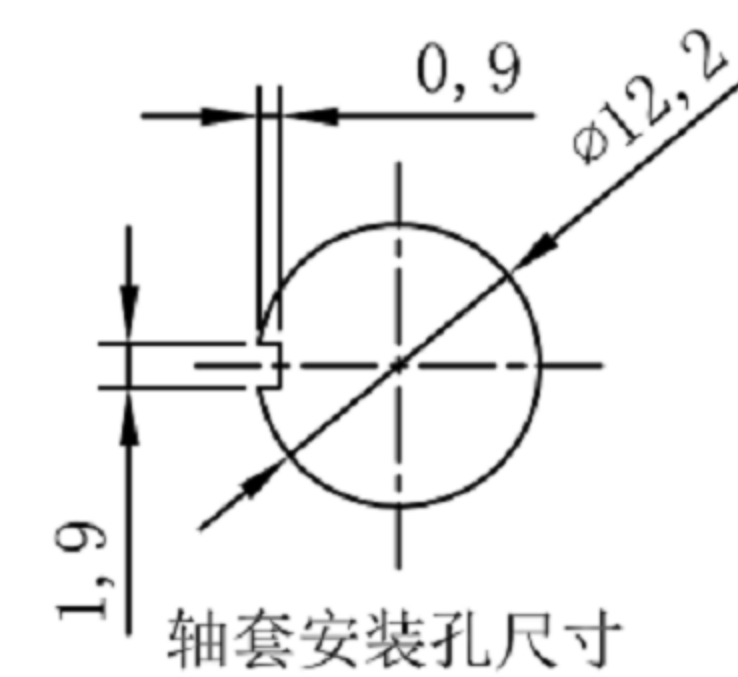


注: ①-④ 为重点检验尺寸。



ON - OFF - ON

电路图 (Circuitry)



轴套安装孔尺寸

Technical characteristics

SPECIFICATION: 15 A max. @ 125 VAC.

10 A max. @ 250 VAC.

MECHANICAL LIFE: 40,000 make-and-break cycles.

CONTACT RESISTANCE: 50mΩ max. initial @2-4VDC
100mA for both silver.

INSULATION RESISTANCE: 1000 MΩ min.

DIELECTRIC STRENGTH: 1500 VAC min.

OPERATING TEMPERATURE: -30°C to +85°C.

Materials

CASE: PF (UL 94V-0)

HOUSING: SPCC.

ACTUATOR: Alloy, nickel plated.

BUSHING: Alloy, nickel plated.

CONTACT/TERMINALS: Copper alloy silver plated.

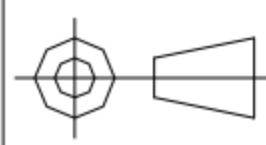
RoHS



东莞市高迪电子有限公司
DONG GUAN GAO DI ELECTRONICS CO., LTD

TOLERANCE UNLESS OTHERWISE STATED:
Up to 5 ±0.2
Above 5 ~ 15 ±0.3
Above 15 ~ 30 ±0.4
Above 30 ~ 50 ±0.5
Angle ±0.3°

3RD. ANGEL'S



UNITS

MM

DRAWN BY: DATE

Ming Ming Zou 07/23/13

CHECKED BY: DATE

Ning Ning Su 07/23/13

APPROVED BY: DATE

Jia Xiang 07/23/13

MAT'L

FINISH

SCALE

SHEET NO.

TITLE

MODLE

DWG NO.

PART NO.

Large toggle switch

Large toggle switch

GD-KN3-B-213-AA

SIZE

A4

VER

R2

ITEM NO.	DESCRIPTION	DRAWN	DATE
2	公差及料號更新	Jack	072313
1	圖面更新	Frank Wu	021012